

BLAUTEK

ADJUSTOR SERIES TEMPERATURE CONTROLLERS

PID or ON/Off Control

Auto Tune PID—PID Fuzzy Logic

Heating—Cool/Heat Control

T/C-RTD-mV-Ma Inputs

Two Alarms, with 10 modes

Lock Function

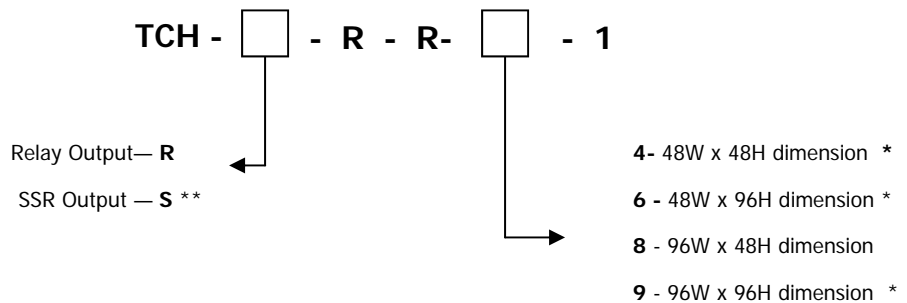
1/16 Din, 1/8 Din, 1/4 Din Sizes



Specifications:

Input Voltage	90 to 260VAC 50/60Hz
Sensor Type:	TC / RTD / mV / mA / V / A / Rt
Control Output:	Relay SPDT 3A 250VAC Voltage 12VDC 30ma.
Control Mode:	Auto-Tune PID Fuzzy PID or On/OFF Heating / Heating-Cooling
Accuracy:	+/- 0.3% F.S (Under normal conditions)
Sampling rate:	<8 times / sec.
Alarm Output:	Two SPST-NO 3A 250VAC

Ordering Code:



Typical Part Number = TCH-RRR41

* Normally Stocked Items

** Normally Stocked in 48H x 48H (1/16Din)

Distributor:

BLAUTEK

3774 PEPPERVINE DR. ORLANDO, FL 32828
TEL. 407-260-9796 FAX. 407-260-9795 WWW.BLAUTEK.COM