

BLAUTEK

DS8 AMP-SERIES PROCESS CONTROLLER

Ampere Meter (0-5A Input)

Milliamp Meter

Volt Meter

Millivolt Meter

Temperature Meter

3 Programmable Outputs

Dual LED Display

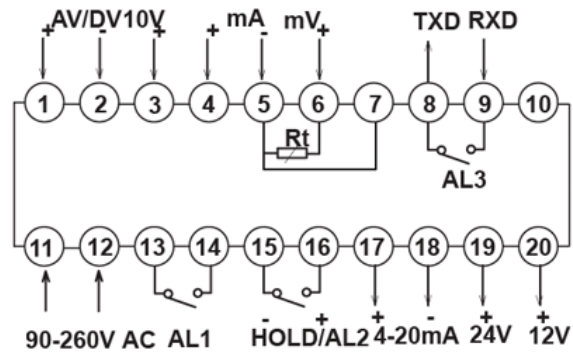
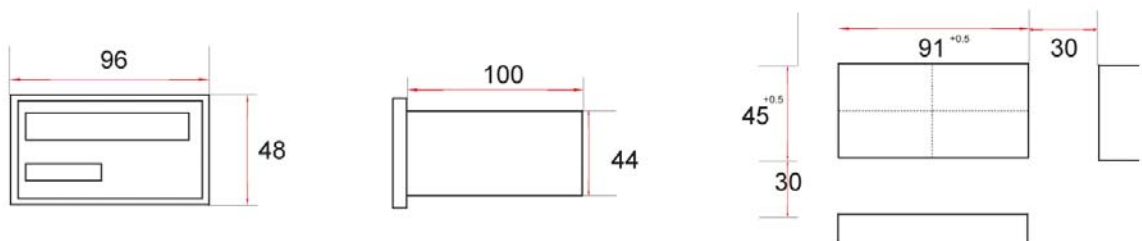


Specifications:

| | |
|----------------|--|
| Input Voltage | 90 to 260VAC 50/60Hz |
| Sensor Type: | A, MA, V, MV, TC, PT, PR, RT |
| Display: | 0-1999 Programmable |
| Accuracy: | +/- 0.3% F.S (Under normal conditions) |
| Sampling rate: | <8 times / sec. |
| Alarm Output: | Three(3) SPST-NO 3A 250VAC |

Ordering Code:

DS8—RRR-5- * Select (A,MA,V,MV,TC,PT,PR,RT, F or C on temp Version)



Distributor:

BLAUTEK