

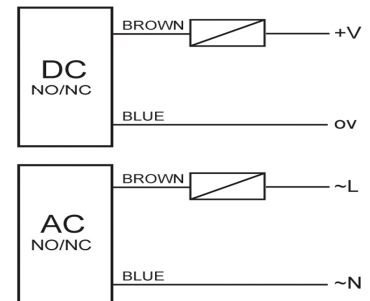
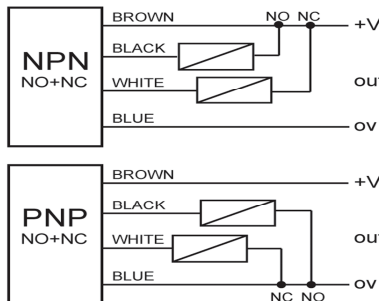
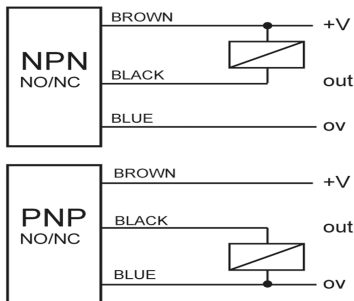
PROXIMITY SENSORS - COMBI SERIES

- 2 Wire AC, 3 Wire DC and 4 Wire DC Multiple Range Sensor Models
- PNP or NPN Outputs
- Nickel Plated Brass Construction
- 360° Output Status is Visible from any angle
- Reverse Polarity Protection
- M12 Micro Connector Type, Nano Connector type and Cable Type
- N/O & N/C Complimentary Outputs on most units.
- Shielded and Unshielded versions
- IP67 Protection
- **Q.D. Cable Included on QD Sensors**



Specifications	2 Wire Sensors AC	3 & 4 Wire Sensors DC
Operating Voltage	90 –250 Vac	10 – 30 Vdc
Current Output	< 300 ma	5mm / 8mm <100ma 12mm / 18mm / 30mm <200ma
Switching frequency	<20 Hz	< 600 Hz
Protection	Over Load Protection	Over Current / Reverse Polarity

Common Specifications		
Output Indicator LED	360° viewable LED	360° viewable LED
Operating Temperature	-20 to 70° (-4 to 158°F)	20 to 70° (-4 to 158°F)
Enclosure Ratings / IP Rating	IP67	IP67
Housing Material	Nickel Plated Brass	Nickel Plated Brass



Authorized Distributor:

Part Number	Diameter	Sensing Range	Output	Type	Q.D/Cable
CPSI-18NOC8B	18mm	8mm	NPN N/O + N/C	Un-Shielded	Connector M12
CPSI-18POC8B	18mm	8mm	PNP N/O + N/C	Un-Shielded	Connector M12
CPSI-30AO25C	30mm	30mm	AC-2 Wire N/O	Un-Shielded	Connector M12
CPSI-30NOC25B	30mm	30mm	NPN N/O + N/C	Un-Shielded	Connector M12
CPSI-30POC25B	30mm	30mm	PNP N/O + N/C	Un-Shielded	Connector M12
IPS-5NO1A	5mm	1mm	NPN N/O	Shielded	2 Meter Cable
IPS-5PO1A	5mm	1mm	PNP N/O	Shielded	2 Meter Cable
IPS-8NO1B	8mm	1mm	NPN N/O	Shielded	2 Meter Cable
IPS-8PO1B	8mm	1mm	PNP N/O	Shielded	2 Meter Cable
IPS-8PO2B	8mm	2mm	PNP N/O	Un-Shielded	2 Meter Cable
IPSI-8NO1B	8mm	1mm	NPN N/O	Shielded	Connector M8
IPSI-8NO2B	8mm	2mm	NPN N/O	Un-Shielded	Connector M8
IPSI-8PO1B	8mm	1mm	PNP N/O	Shielded	Connector M8
IPSI-8PO2B	8mm	2mm	PNP N/O	Un-Shielded	Connector M8
IPSI-8NC1B-T	8mm	1mm	NPN N/C	Shielded	Connector M12
IPSI-8NO1B-T	8mm	1mm	NPN N/O	Shielded	Connector M12
IPSI-8NO2B-T	8mm	2mm	NPN N/O	Un-Shielded	Connector M12
IPSI-8PC1B-T	8mm	1mm	PNP N/C	Shielded	Connector M12
IPSI-8PO1B-T	8mm	1mm	PNP N/O	Shielded	Connector M12
IPS-12AO2C	12mm	2mm	AC-2Wire N/O	Shielded	2 Meter Cable
IPS-12AO4C	12mm	4mm	AC-2 Wire N/O	Unshielded	2 Meter Cable
IPS-12NOC2B	12mm	2mm	NPN N/O + N/C	Shielded	2 Meter Cable
IPS-12NOC4B	12mm	4mm	NPN N/O + N/C	Un-Shielded	2 Meter Cable
IPS-12PO2B	12mm	2mm	PNP N/O	Shielded	2 Meter Cable
IPS-12POC2B	12mm	2mm	PNP N/O + N/C	Shielded	2 Meter Cable
IPS-12POC4B	12mm	4mm	PNP N/O + N/C	Un-shielded	2 Meter Cable
IPSI-12AO2C	12mm	2mm	AC-2 Wire N/O	Shielded	Connector M12
IPSI-12NOC2B	12mm	2mm	NPN N/O + N/C	Shielded	Connector M12
IPSI-12NOC4B	12mm	4mm	NPN N/O + N/C	Un-Shielded	Connector M12
IPSI-12NOC4B-D Shielded—Extended Range	12mm	4mm	NPN N/O + N/C	Shielded	Connector M12
IPSI-12POC2B	12mm	2mm	PNP N/O + N/C	Shielded	Connector M12
IPSI-12POC4B	12mm	4mm	PNP N/O+ N/C	Un-Shielded	Connector M12
IPSI-12POC4B-D Shielded-Extended Range	12mm	4mm	PNP N/O + N/C	Shielded	Connector M12
IPS-18AO5C	18mm	5mm	AC-2 Wire N/O	Shielded	2 Meter Cable
IPSI-18AC5C	18mm	5mm	AC-2 Wire N/C	Shielded	Connector M12
IPSI-18AO5C	18mm	5mm	AC-2 Wire N/O	Shielded	Connector M12
IPS-18A08C	18mm	8mm	AC-2 Wire N/O	Un-Shielded	2 Meter Cable
IPS-18NOC8B	18mm	8mm	NPN N/O + N/C	Un-shielded	2 Meter Cable
IPS-18POC8B	18mm	8mm	PNP N/O + N/C	Un-shielded	2 Meter Cable
IPSI-18NOC5B	18mm	5mm	NPN N/O + N/C	Shielded	Connector M12
IPSI-18NOC8B	18mm	8mm	NPN N/O + N/C	Un-Shielded	Connector M12
IPSI-18PO8B	18mm	8mm	PNP N/O	Un-shielded	Connector M12
IPSI-18POC5B	18mm	5mm	PNP N/O + N/C	Shielded	Connector M12
IPSI-18POC8B	18mm	8mm	PNP N/O + N/C	Un-shielded	Connector M12
IPSI-30NOC10B	30mm	10mm	NPN N/O + N/C	Shielded	Connector M12
IPSI-30POC10B	30mm	10mm	PNP N/O + N/C	Shielded	Connector M12

CPSI = Capacitive Connector Sensors IPS= Inductive Wired Sensor IPSI= Inductive Connector Sensors